

POWER MATE TECHNOLOGY

MAD100 SERIES

2 X 3 Inch AC-DC POWER SUPPLIES

UNIVERSAL INPUT RANGE
UP TO 100Watts



FEATURES

- LOW STANDBY POWER CONSUMPTION UNDER 0.3 WATT
- WIDE INPUT VOLTAGE RANGE 85 TO 264VAC, 47 TO 63HZ
- ACTIVE POWER FACTOR CORRECTION
- BUILT-IN EMI FILTER
- OUTPUT VOLTAGE ADJUSTABLE
- OPEN FRAME DIMENSIONS 2.00 X 3.00 X 1.16 INCH
- 4000VAC INPUT TO OUTPUT 2MOPP INSULATION
- PROTECTION TYPE CLASS I AND CLASS II
- LOW LEAKAGE CURRENT UNDER 75µA
- OPERATING ALTITUDE 5000M
- 5 YEAR WARRANTY
- ANSI/AAMI ES60601-1, EN60601-1, & IEC60601-1 3rd EDITION SAFETY APPROVALS
- CE MARKED
- COMPLIANT TO RoHS II & REACH

APPLICATIONS

- MEDICAL EQUIPMENT

4000VAC ISOLATION	OCP	SCP	OVP	LOW STANDBY POWER
-------------------	-----	-----	-----	-------------------

TECHNICAL SPECIFICATION

All specifications are typical at 230VAC input, full load and 25°C otherwise noted

Model Number	Input Range	Output Voltage	Output Current @ Natural convection 50°C Ta	Input Power @ No Load	Efficiency
	VAC	VDC	A	W	%
MAD100US12	85 ~ 264	12	8.34	0.3	91
MAD100US15	85 ~ 264	15	6.67	0.3	92
MAD100US24	85 ~ 264	24	4.17	0.3	92
MAD100US28	85 ~ 264	28	3.58	0.3	92
MAD100US36	85 ~ 264	36	2.78	0.3	91
MAD100US48	85 ~ 264	48	2.09	0.3	91

PART NUMBER STRUCTURE

M	A	D	100	U	S	12	□
Application	Package Code	Dimension Code	Output Power (W)	Input Voltage (VAC)	Output Quantity	Output Voltage (VDC)	Protection Type
Medical Application	A: Open type U: U chassis type E: Enclosed type D: Din rail (E type only)			U: Universal 85 ~ 264VAC	S: Single	12: 12V 15: 15V 24: 24V 28: 28V 36: 36V 48: 48V	No suffix: CLASS I B: CLASS II

INPUT SPECIFICATIONS

Parameter	Conditions	Min.	Typ.	Max.	Unit
Operating input voltage range	AC input	85		264	VAC
	DC input	120		370	VDC
Input frequency	AC input	47		63	Hz
Input current	115VAC and Full Load			1.15	A
	230VAC and Full Load			0.55	
No load input power	230VAC			0.3	Watts
Leakage current	264VAC			75	µA
Power Factor		0.95			
Start up time				1000	ms
Rise time			20		ms
Hold up time	115VAC and Full Load	16			ms
Input inrush current	230VAC			60	A
Input protection	Internal fuse in line and neutral			T3.15A/250VAC	

OUTPUT SPECIFICATIONS

Parameter	Conditions	Min.	Typ.	Max.	Unit
Output power	Open frame			100	Watts
Initial set voltage accuracy	230VAC and Full Load	-1.0		+1.0	%
Line regulation	Low Line to High Line at Full Load	-0.2		+0.2	%
Load regulation	No Load to Full Load	-0.5		+0.5	%
	10% Load to 90% Load	-0.4		+0.4	
Voltage adjustability		-10		+10	%
Minimum load			0		%
Ripple and noise	Measured by 20MHz bandwidth				mVp-p
	With a 10µF/25V 1206 X7R MLCC	12Vout	120		
	With a 10µF/25V 1206 X7R MLCC	15Vout	150		
	With a 1µF/50V 1206 X7R MLCC	24Vout	160		
	With a 1µF/50V 1206 X7R MLCC	28Vout	180		
	With a 1µF/50V 1206 X7R MLCC	36Vout	190		
With a 0.1µF/100V 1206 X7R MLCC	48Vout	340			
Temperature coefficient		-0.02		+0.02	%/°C
Transient response	Load step form 50 ~ 75% change at 2.5A/µs	Peak deviation		3	% Vout
		Recovery time	500		µs
Over voltage protection	% of Vout(nom); Latch mode	115		135	%
Over load protection	% of Iout rated; Hiccup mode	115		150	%
Short circuit protection					Continuous, automatic recovery

GENERAL SPECIFICATIONS

Parameter	Conditions	Min.	Typ.	Max.	Unit
Isolation voltage	1 minute (2MOPP insulation)	Input to Output	4000		VAC
		Input (Output) to F.G.	1500		
Isolation resistance	500VDC	0.1			GΩ
Switching frequency			60		kHz
Safety approvals					ANSI/AAMI ES60601-1 EN60601-1 IEC60601-1
Weight	MAD MUD MED MDD			156g (5.50oz)	
				194g (6.84oz)	
				210g (7.41oz)	
				232g (8.18oz)	
MTBF	MIL-HDBK-217F Ta=25°C, Full load			7.903 x 10 ⁵	hrs

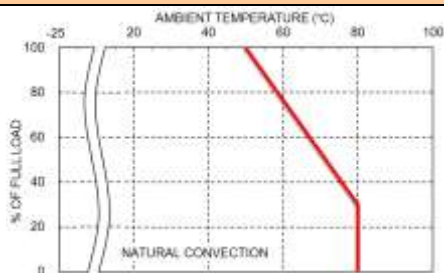
ENVIRONMENTAL SPECIFICATIONS

Parameter	Conditions	Min.	Typ.	Max.	Unit
Operating ambient temperature	Natural convection	-25		+80	°C
Storage temperature range		-40		+85	°C
Operating altitude				5000	m
Thermal shock					MIL-STD-810F
Shock					IEC68-2-27
Vibration					IEC68-2-6
Relative humidity	Non-condensing				5% to 95% RH

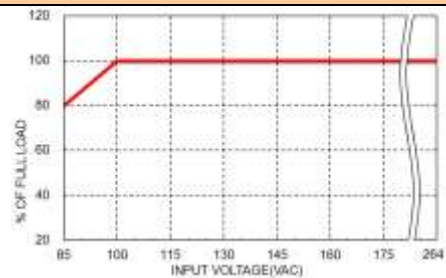
EMC SPECIFICATIONS

Parameter	Conditions			Level
EMI	EN55011, EN55022 and FCC Part 18			Conducted Class B Radiated Class A
Harmonic currents	EN61000-3-2	Full Load		Class A and D
Voltage flicker	EN61000-3-3			
ESD	EN61000-4-2	Air $\pm 8kV$ and Contact $\pm 6kV$		Perf. Criteria A
Radiated immunity	EN61000-4-3	20 V/m		Perf. Criteria A
Fast transient	EN61000-4-4	$\pm 2kV$		Perf. Criteria A
Surge	EN61000-4-5	DM $\pm 1kV$ and CM $\pm 2kV$		Perf. Criteria A
Conducted immunity	EN61000-4-6	20 Vr.m.s		Perf. Criteria A
Power frequency magnetic field	EN61000-4-8	10 A/m		Perf. Criteria A
Dip and interruptions	EN60601-1-2	230VAC 50Hz	30% 500mS	Perf. Criteria A
			60% 100mS	Perf. Criteria A
			>95% 10mS	Perf. Criteria A
		100VAC 50Hz	>95% 5000mS	Perf. Criteria B
			30% 500mS	Perf. Criteria A
			60% 100mS	Perf. Criteria B
>95% 10mS	Perf. Criteria A			
>95% 5000mS	Perf. Criteria B			

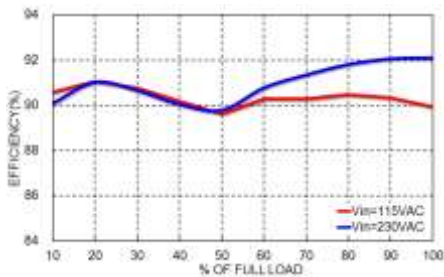
CHARACTERISTIC CURVE



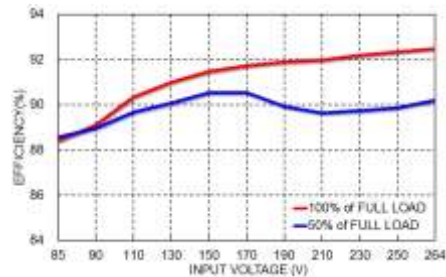
Derating Curve vs. Ambient Temperature
M□D100



Derating Curve vs. Input Voltage
M□D100



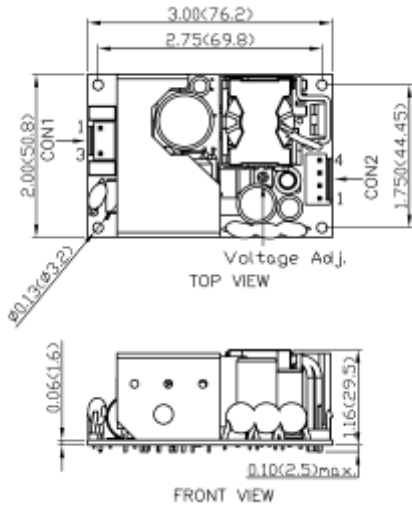
Efficiency vs. Output Load
M□D100US24



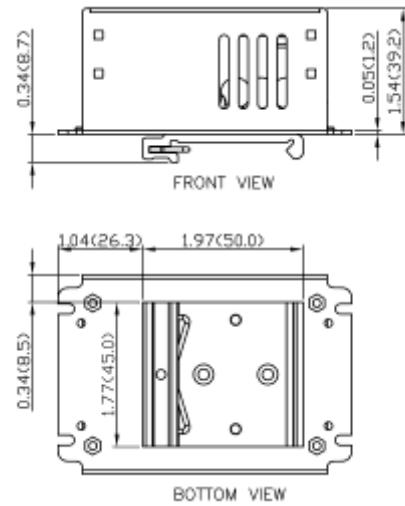
Efficiency vs. Input Voltage
M□D100US24

MECHANICAL DRAWING

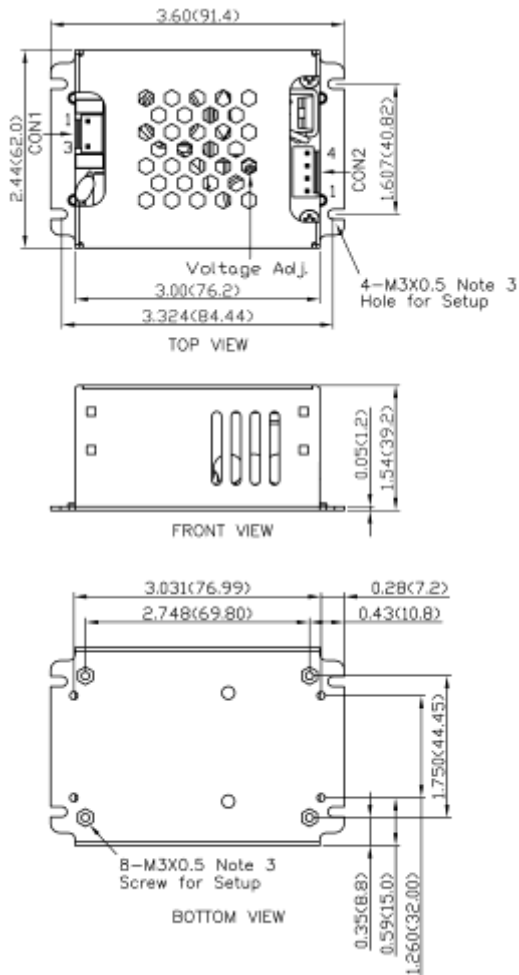
MAD Open type



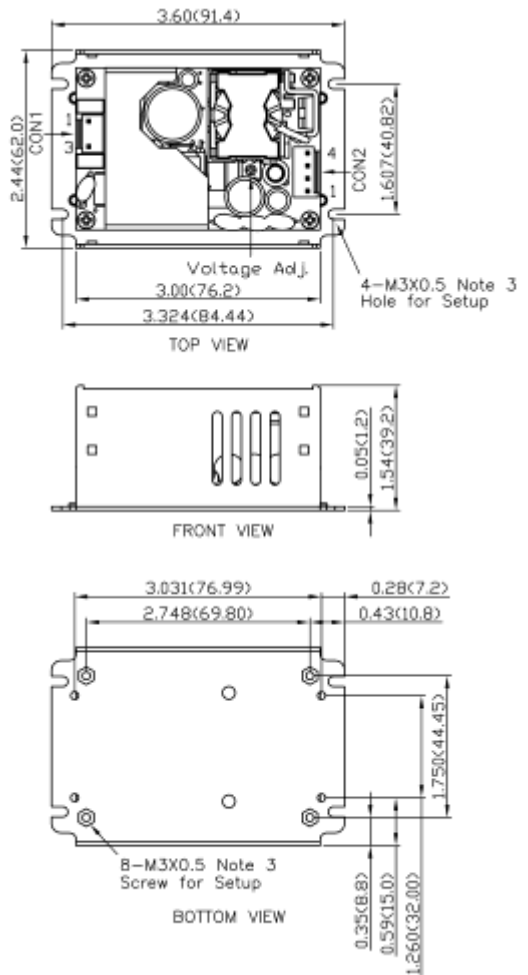
MDD Din rail type



MED Enclosed type



MUD U chassis type



1. All dimensions in inch (mm)
2. Tolerance : $x.xx \pm 0.02$ ($x.x \pm 0.5$) $x.xxx \pm 0.01$ ($x.xx \pm 0.25$)
3. M3x0.5 screw locked torque MAX 5Kgf.cm/0.49N.m

CONNECTORS CONNECTIONS

CON1 – Input Connector

Pin 1	Line
Pin 3	Neutral

Mates with
JST housing : **VHR-3N**
JST crimp terminals : **SVH-21T-P1.1**

Mounting holes marked with \oplus must be connected to safety earth for CLASS I application

CON2 – Output Connector

Pin 1,2	-Vout
Pin 3,4	+Vout

Mates with
JST housing : **VHR-4N**
JST crimp terminals : **SVH-21T-P1.1**