

POWER MATE TECHNOLOGY

MAD65 SERIES

2 X 3 Inch AC-DC POWER SUPPLIES

UNIVERSAL INPUT RANGE
UP TO 65 WATTS



FEATURES

- LOW STANDBY POWER CONSUMPTION UNDER 0.11 WATT
- WIDE INPUT VOLTAGE RANGE 85 TO 264VAC, 47 TO 63HZ
- BUILT-IN CLASS B EMI FILTER
- OUTPUT VOLTAGE ADJUSTABLE (SINGLE OUTPUT ONLY)
- 4000VAC INPUT TO OUTPUT 2MOPP INSULATION
- PROTECTION TYPE CLASS I AND CLASS II
- LOW LEAKAGE CURRENT UNDER 75µA
- OPERATING ALTITUDE 5000M
- 5 YEAR WARRANTY
- SAFETY MEETS ANSI/AAMI ES60601-1, EN60601-1 AND IEC60601-1 3rd EDITION
- CE MARKED
- COMPLIANT TO RoHS II & REACH

APPLICATIONS

- MEDICAL EQUIPMENT
- WIRELESS NETWORK
- TELECOM/DATACOM
- INDUSTRY CONTROL SYSTEM
- MEASUREMENT EQUIPMENT
- SEMICONDUCTOR EQUIPMENT

4000VAC ISOLATION	OCP	SCP	OVP	LOW STANDBY POWER
----------------------	-----	-----	-----	-------------------------

TECHNICAL SPECIFICATION

All specifications are typical at 230VAC input, full load and 25°C otherwise noted

Model Number	Input Range	Output Voltage	Output Current @ Convection cooled 60°C Ta	Max. Output Power	Input Power @ No Load	Efficiency
	VAC	VDC	A	W	W	%
MAD65US05	85 ~ 264	5	10	50	0.11	90.0
MAD65US7P5	85 ~ 264	7.5	8.67	65	0.11	90.0
MAD65US09	85 ~ 264	9	7.23	65	0.11	91.0
MAD65US12	85 ~ 264	12	5.42	65	0.11	92.5
MAD65US15	85 ~ 264	15	4.34	65	0.11	93.5
MAD65US24	85 ~ 264	24	2.71	65	0.11	93.5
MAD65US241	85 ~ 264	24	2.71	65	0.11	92.0
MAD65US28	85 ~ 264	28	2.33	65	0.11	93.5
MAD65US281	85 ~ 264	28	2.33	65	0.11	91.5
MAD65US36	85 ~ 264	36	1.81	65	0.11	92.5
MAD65US48	85 ~ 264	48	1.36	65	0.13	93.0
MAD65US53	85 ~ 264	53	1.24	65	0.13	92.5

PART NUMBER STRUCTURE

M	A	D	65	U	S	12	□
Application	Package Code	Dimension Code	Output Power (W)	Input Voltage (VAC)	Output Quantity	Output Voltage (VDC)	Protection Type
Medical Application	A: Open type U: U chassis type E: Enclosed type D: Din rail (E type only)			U: Universal 85 ~ 264	S: Single	05: 5 7P5: 7.5 09: 9 12: 12 15: 15 24: 24 28: 28 36: 36 48: 48 53: 53	No suffix: CLASS I B: CLASS II

INPUT SPECIFICATIONS

Parameter	Conditions	Min.	Typ.	Max.	Unit
Operating input voltage range	AC input	85		264	VAC
	DC input	120		370	VDC
Input frequency	AC input	47		63	Hz
Input current	100VAC and Full Load 240VAC and Full Load			1.6 0.9	A
No load input power	230VAC 48Vout, 53Vout Others			0.13 0.11	Watts
Leakage current	264VAC			75	µA
Start up time				1000	ms
Rise time			20		ms
Hold up time	115VAC and Full Load		16		ms
Input inrush current	230VAC			60	A
Input protection	Internal fuse in line and neutral			T3.15A/250VAC	

OUTPUT SPECIFICATIONS

Parameter	Conditions	Min.	Typ.	Max.	Unit	
Output power				65	Watts	
Initial set voltage accuracy	230VAC and Full Load	-1.0		+1.0	%	
Line regulation	Low Line to High Line at Full Load	-0.2		+0.2	%	
Load regulation	No Load to Full Load 5Vout Others	-0.7		+0.7	%	
		-0.5		+0.5		
	10% Load to 90% Load 5Vout Others	-0.6		+0.6	%	
		-0.4		+0.4		
Voltage adjustability	Single output 53Vout Others	-20		+10	%	
		-10		+10		
Minimum load			0		%	
Ripple and noise	Measured by 20MHz bandwidth With a 10µF/25V 1206 X7R MLCC 5Vout, 7.5Vout, 9Vout 12Vout, 15Vout		75		mVp-p	
		With a 1µF/50V 1206 X7R MLCC 24Vout, 28Vout, 36Vout		75		mVp-p
		With a 0.1µF/100V 1206 X7R MLCC 48Vout, 53Vout		150		mVp-p
Temperature coefficient		-0.02		+0.02	%/°C	
Transient response	Load step form 50 ~ 75% change at 2.5A/µs Peak deviation Recovery time		600	3	% Vout µs	
Over voltage protection	% of Vout(nom); Latch mode	125		140	%	
Over load protection	% of Iout rated; Hiccup mode		145		%	
Short circuit protection					Continuous, automatic recovery	

GENERAL SPECIFICATIONS

Parameter	Conditions	Min.	Typ.	Max.	Unit
Isolation voltage	1 minute (2MOPP insulation) Input to Output Input (Output) to F.G.	4000			VAC
		2500			
Isolation resistance	500VDC	0.1			GΩ
Switching frequency	230VAC 5Vout 7.5Vout 9Vout Others		60		kHz
			80		
			70		
			120		
Safety meets					ANSI/AAMI ES60601-1 EN60601-1 IEC60601-1
Weight	MAD MUD MED MDD				117g (4.13oz)
					157g (5.54oz)
					172g (6.07oz)
					193g (6.81oz)
MTBF	MIL-HDBK-217F, Full load				1.494 x 10 ⁶ hrs

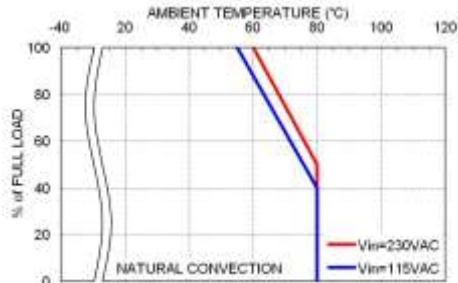
ENVIRONMENTAL SPECIFICATIONS

Parameter	Conditions	Min.	Typ.	Max.	Unit
Operating ambient temperature	Natural convection With derating	-40		+85	°C
Storage temperature range		-40		+85	°C
Operating altitude				5000	m
Shock					IEC68-2-27
Vibration					IEC68-2-6
Relative humidity	Non-condensing				5% to 95% RH

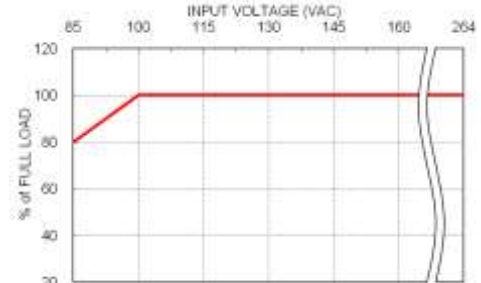
EMC SPECIFICATIONS

Parameter	Conditions			Level
EMI	EN55011, EN55022 and FCC Part 18			Conducted Class B Radiated Class B
Harmonic currents	EN61000-3-2	Full Load		Class A
Voltage flicker	EN61000-3-3			
ESD	EN61000-4-2	Air $\pm 8kV$ and Contact $\pm 6kV$		Perf. Criteria A
Radiated immunity	EN61000-4-3	20 V/m		Perf. Criteria A
Fast transient	EN61000-4-4	$\pm 2kV$		Perf. Criteria A
Surge	EN61000-4-5	DM $\pm 1kV$ and CM $\pm 2kV$		Perf. Criteria A
Conducted immunity	EN61000-4-6	20 Vr.m.s		Perf. Criteria A
Power frequency magnetic field	EN61000-4-8	10 A/m		Perf. Criteria A
Dip and interruptions	EN60601-1-2 EN61000-4-11	230VAC 50Hz	30% 500mS	Perf. Criteria A
			60% 100mS	Perf. Criteria A
			>95% 10mS	Perf. Criteria A
			>95% 5000mS	Perf. Criteria B
		100VAC 50Hz	30% 500mS	Perf. Criteria A
			60% 100mS	Perf. Criteria B
		>95% 10mS	Perf. Criteria A	
		>95% 5000mS	Perf. Criteria B	

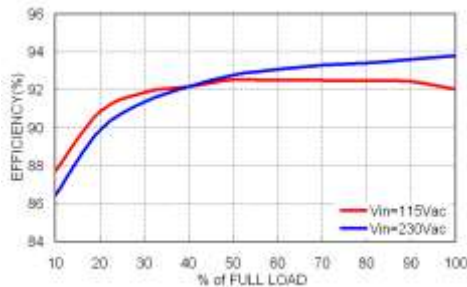
CHARACTERISTIC CURVE



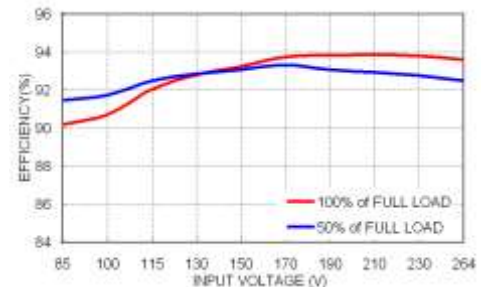
Derating Curve VS Ambient Temperature
MAD65US24



Derating Curve VS Input Voltage



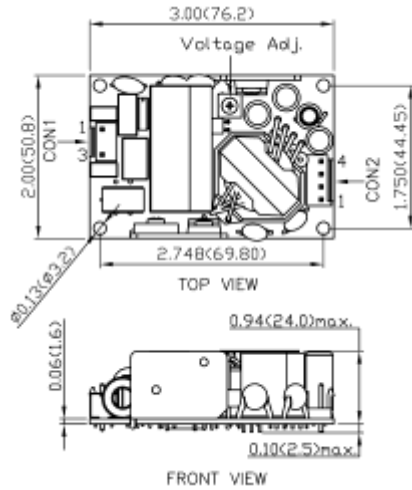
Efficiency VS Output Load
MAD65US24



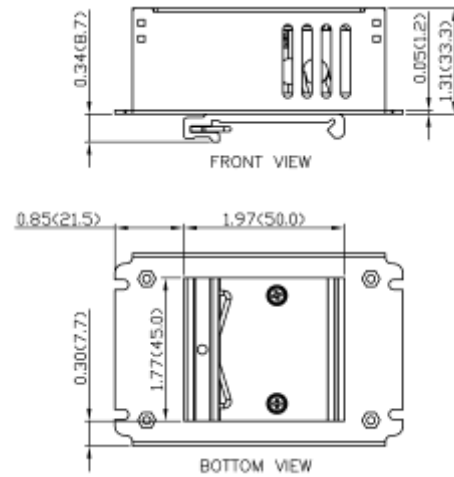
Efficiency VS Input Voltage
MAD65US24

MECHANICAL DRAWING

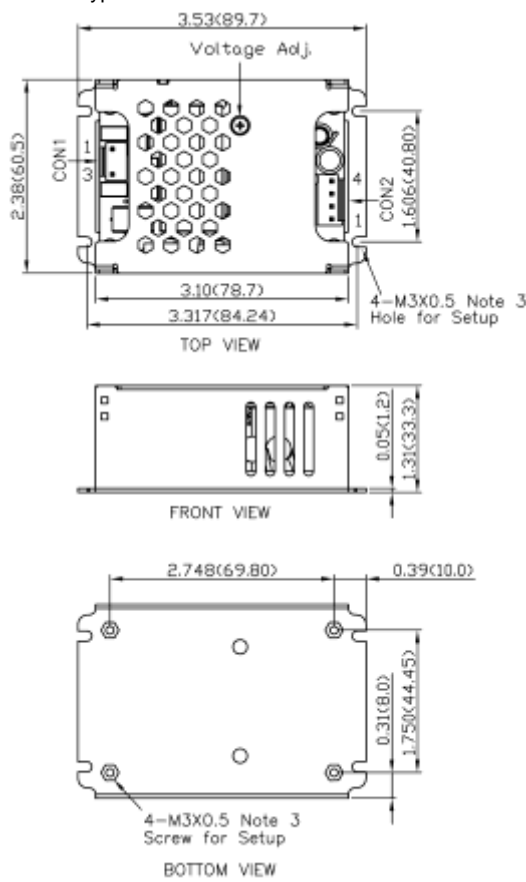
MAD Open type



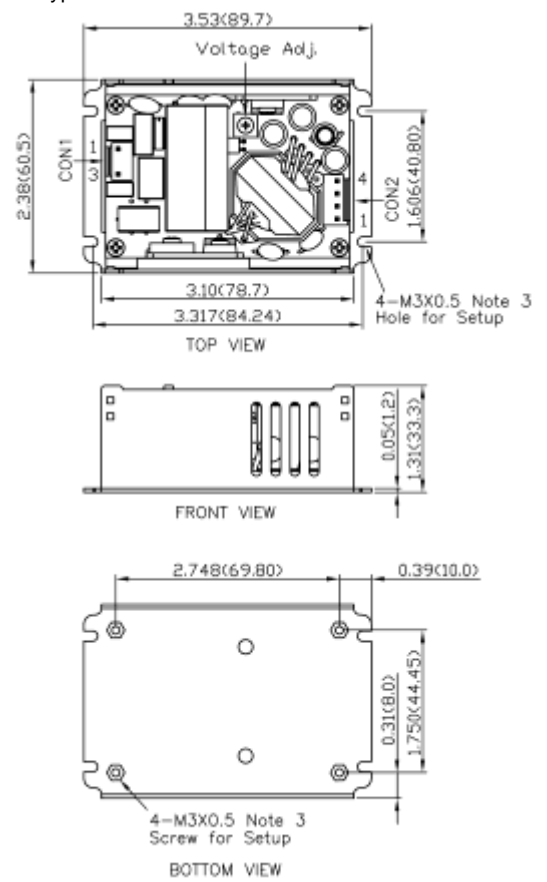
MDD Din rail type



MED Enclosed type



MUD U chassis type



1. All dimensions in inch (mm)
2. Tolerance : $x.xx \pm 0.02$ ($x.x \pm 0.5$) $x.xxx \pm 0.01$ ($x.xx \pm 0.25$)
3. M3x0.5 screw locked torque MAX 5Kgf.cm/0.49N.m

CONNECTORS CONNECTIONS

CON1 – Input Connector

Pin 1	Line
Pin 3	Neutral

Mates with
JST housing : **VHR-3N**
JST crimp terminals : **SVH-21T-P1.1**

Mounting holes marked with \oplus must be connected to safety earth for CLASS I application

CON2 – Output Connector

Pin 1,2	-Vout
Pin 3,4	+Vout

Mates with
JST housing : **VHR-4N**
JST crimp terminals : **SVH-21T-P1.1**